

MX6 SERIES 4" Wall Guard

INSTALLATION GUIDE NO. 02
REVISED 03/03/2016

STORAGE & HANDLING

The wall guards are shipped unassembled. Upon receipt, the vinyl covers should be stored in the horizontal position at room temperature (65 - 75° F). This is a finished product, store in a protected clean, dry area away from direct sunlight. DO NOT WALK ON THIS PRODUCT OR STORE ANYTHING ON TOP OF IT.

PARTS LIST

Aluminum Retainer
Impact Absorber
Vinyl Cover
End Caps
Mounting Hardware

NOTE: Stock Length material does not always have squared ends and may require squaring in the field. If space is available use a minimum 12' long cutting bench to allow the installer to cut the material without having to turn it around.

SPLICES

When splices occur (runs over 12'-0"), always splice the aluminum retainers and the vinyl covers at different locations along the run. The minimum required spacing between the splice locations is 1'-0".

NOTE: Check to ensure the anchors supplied by the factory will work with the type of wall substrate on the project.

IMPORTANT!

The factory recommends using back up channels at stud wall conditions (see Figure 2).

INSTALLATION

If the material is being cut from stock lengths, cut the longest pieces first, then cut the shorter pieces.

STEP 1. Using the correct plans and layout guides, layout the wall guard and make any necessary cuts before beginning the actual installation (see Page 2, Figures 3 & 5).

STEP 2. Select a section of the aluminum retainer. Mark the locations for the anchor holes on the retainer, centering the anchor holes along the retainer is recommended. Anchors are spaced 16" O.C. MAXIMUM with an anchor a maximum of 3" from the end of the retainer (see Figure 1). Drill the anchor holes through the retainer at the marked locations. Repeat this step for each retainer.

STEP 3. Layout the wall guard retainers along the wall where the wall guard will be placed. At outside corner joints, the retainer should be 1/8" short of the corner on one side of the corner to allow for the corner adapter to fit correctly. As needed, place end caps and/or outside corners to the corresponding aluminum retainers. Slide the tab into the center channel of the retainer and mark the screw location on the retainer.

STEP 4. Measure the specified/required height from the floor for the wall guard, make marks along the wall at the desired height. Use a chalk line to connect the marks creating a visual reference for the alignment of the wall guard.

STEP 5. Place the retainer into position against the wall ensuring that the retainer is properly aligned, level, and at the proper height. Using the correct anchors attach the retainer to the wall.

NOTE: Observe all safety precautions when drilling to avoid all utilities and re-bar.

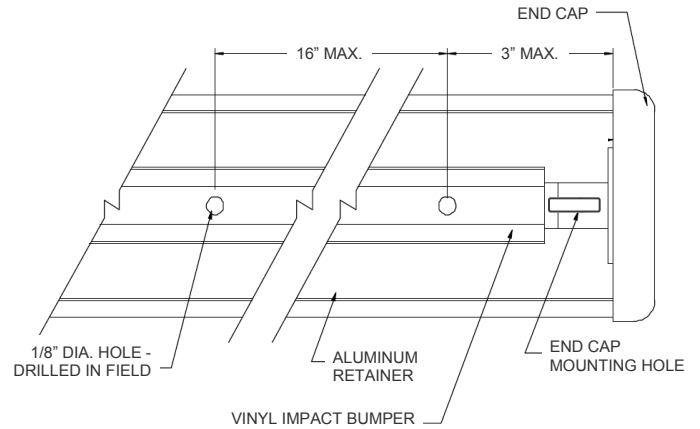


Figure 1

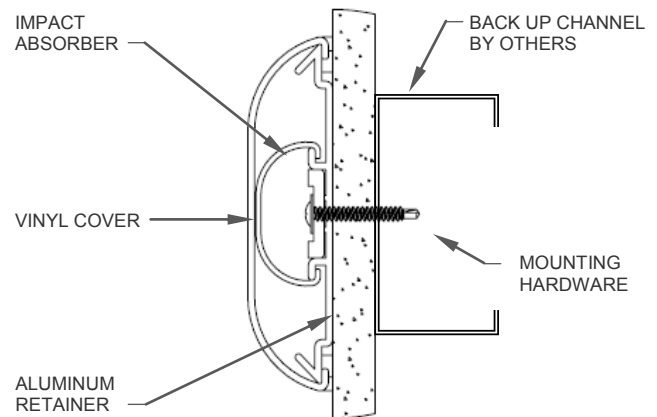
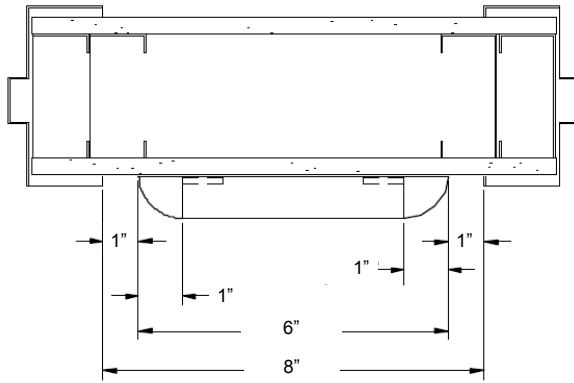


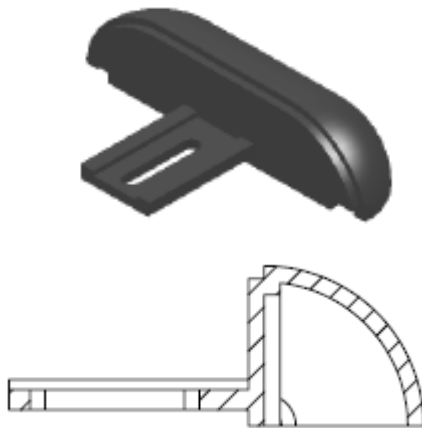
Figure 2

STEP 6. Install end caps and outside corners as required. For installation tips concerning door or window jambs and inside corners see figures 3, 4, & 5 on page 2. Then cut (if required) and place the impact bumper to the center of the aluminum retainer and snap into place (see Figure 2). **Note:** The impact bumpers should be 1" short of the end of the retainer on both sides to allow for the end caps and corners to fit properly.

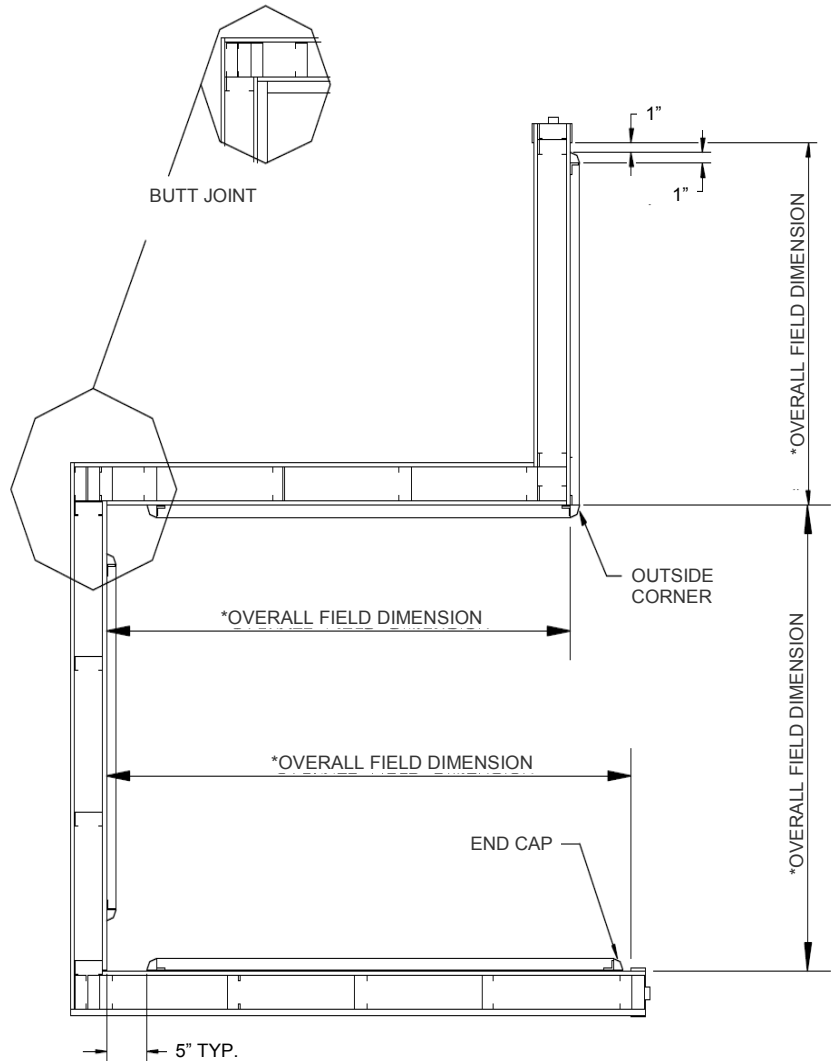
STEP 7. Select vinyl cover (see Page 1, Figure 2), fit the cover to the retainer, trim as required, then place the top lip of the vinyl cover over the top of the retainer. Starting at one end, using the palm of the hand, push the vinyl cover down over the bottom of the retainer. Repeat this step for each section of crash rail.



JAMB TO JAMB, WINDOW, ETC.
Figure 3



END CAP
Figure 4



**MEASURE TO THE NEAREST 1/8" IN ALL CONDITIONS*

Figure 5

CLEANING INSTRUCTIONS

1. For best results, the use of liquid cleaners such as "409", "Fantastic", "Mr. Clean", etc. are recommended. The use of powder cleansers is not recommended, use of such cleaners can leave residue which is difficult to remove.
2. Do not use chlorinated or aromatic hydrocarbons, esters or ketones to clean Marlite vinyl products. Avoid the use of heavy degreasers, compounds containing surfactants, and abrasive compounds or cleaning devices.